

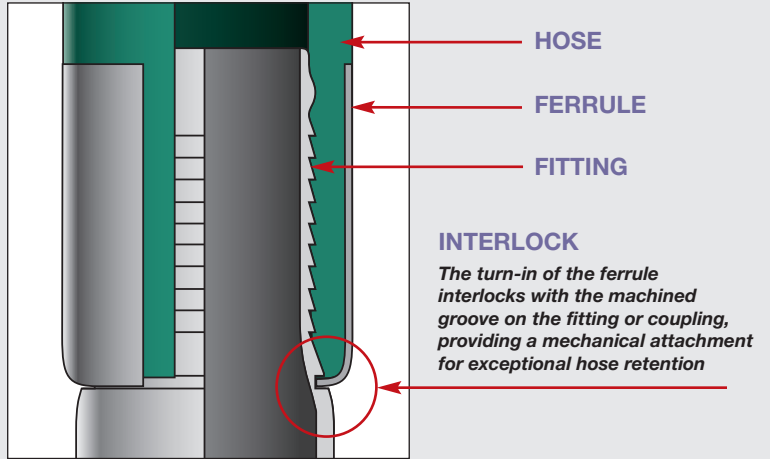


**CampbellCrimpnology™ ...
the only comprehensive package of
crimping products in the industry!**



CampbellCrimpnology™

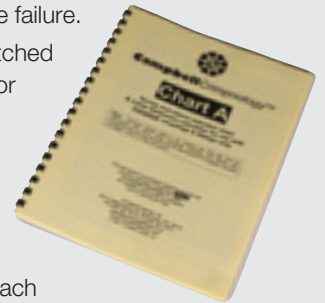
Crimpnology refers to all of the technology involved in crimping: the integrated design of every fitting, coupling, ferrule, and sleeve; the crimp procedures; crimp specifications; and crimp training & support.



Features and Benefits

Crimpnology offers the following “7 Essentials” for crimping safe, repeatable, performance-rated hose systems:

- Interlock groove on all fittings and couplings is compatible with the turn-in end of the ferrule to ensure a 360° ferrule-to-fitting interlock.
- Serrations specifically designed for crimping provide maximum hose retention without potential tube failure.
- Shank length and ferrule/sleeve length are matched to maximize retention and to avoid hose tube or cover damage.
- Detailed assembly procedures are provided, including information to ensure use of compatible components.
- Detailed crimping procedures (right) ensure appropriate crimp specification is derived for each hose and fitting combination.



- On-site crimping training by a Hose System Specialist, including a CD/video for review (left), is offered by Campbell to assist distributor personnel.
- A daytime, toll-free “hotline” is manned by a Campbell Hose System Specialist to assist in all aspects of training.

FERRULE & SLEEVE PART NUMBERING

PRODUCT	MATERIAL	FERRULE/SLEEVE I.D.
F = Ferrule	PS = Plated Steel	216 = 2-16/64"
S = Sleeve	SS = Stainless Steel	340 = 3-40/64"

F PS 150 216 L

NOMINAL HOSE SIZE
150 = 1-1/2"
200 = 2"

NON-STANDARD LENGTH
L = Long
S = Short

Performance-Rated

All Campbell pressure ratings are established and verified by hydrostatic testing to a 4X safety factor where applicable (see page 1 for pressure rating information). Test data and information regarding various combinations of hoses and fittings are available upon request.

Note: Campbell sleeves may be used on non-Campbell fittings. We cannot provide crimp specifications or recommend working pressures for non-Campbell parts. The pressure ratings in this catalog are valid only when using all Campbell parts. For safety and quality assurance, always proof test hose assembly according to NAHAD guidelines.



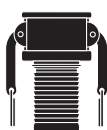
FERRULES

FERRULES

for use with products shown below only:



Crimpology Nipples
(page 11)



Campbell Cobra Parts C & E
(page 15)



ChemJoint Couplings & Male Stems
(page 31)

Plated Steel



hose size	ferrule i.d.	part number	list each
3/4	1-20/64	FPS075120	7.48
3/4	1-24/64	FPS075124	7.48
3/4	1-28/64	FPS075128	7.48
3/4	1-32/64	FPS075132	7.48
1	1-32/64	FPS100132	9.86
1	1-36/64	FPS100136	9.86
1	1-40/64	FPS100140	9.86
1	1-44/64	FPS100144	9.86
1	1-48/64	FPS100148	9.86
1	1-52/64	FPS100152	9.86
1-1/4	1-52/64	FPS125152	10.25
1-1/4	1-56/64	FPS125156	10.25
1-1/4	1-60/64	FPS125160	10.25
1-1/2	1-60/64	FPS150160	11.24
1-1/2	2	FPS150200	11.24
1-1/2	2-4/64	FPS150204	11.24
1-1/2	2-8/64	FPS150208	11.24
1-1/2	2-12/64	FPS150212	11.24
1-1/2	2-16/64	FPS150216	11.24
1-1/2	2-20/64	FPS150220	11.24
1-1/2	2-24/64	FPS150224	11.24
2	2-32/64	FPS200232	13.63
2	2-36/64	FPS200236	13.63
2	2-40/64	FPS200240	13.63
2	2-44/64	FPS200244	13.63
2	2-48/64	FPS200248	13.63
2	2-52/64	FPS200252	13.63
2	2-56/64	FPS200256	13.63
2	2-60/64	FPS200260	13.63
2-1/2	3-8/64	FPS250308	18.13
2-1/2	3-12/64	FPS250312	18.13
2-1/2	3-16/64	FPS250316	18.13
2-1/2	3-20/64	FPS250320	18.13
2-1/2	3-28/64	FPS250328	18.13
3	3-36/64	FPS300336	18.40
3	3-40/64	FPS300340	18.40
3	3-44/64	FPS300344	18.40
3	3-48/64	FPS300348	18.40
3	3-52/64	FPS300352	18.40
3	3-56/64	FPS300356	18.40
3	3-60/64	FPS300360	18.40
3	4	FPS300400	18.40
4	4-36/64	FPS400436	24.16
4	4-40/64	FPS400440	24.16

4	4-44/64	FPS400444	24.16
4	4-48/64	FPS400448	24.16
4	4-52/64	FPS400452	24.16
4	4-56/64	FPS400456	24.16
4	4-60/64	FPS400460	24.16
4	5	FPS400500	24.16
4	5-4/64	FPS400504	24.16
6	6-40/64	FPS600640	51.54
6	6-56/64	FPS600656	51.54
6	7-8/64	FPS600708	51.54
6	7-24/64	FPS600724	51.54

304 Stainless

1/2	1	FSS050100	7.64
1/2	1-4/64	FSS050104	7.64
1/2	1-8/64	FSS050108	7.64
3/4	1-16/64	FSS075116	7.96
3/4	1-20/64	FSS075120	7.96
3/4	1-24/64	FSS075124	7.96
3/4	1-28/64	FSS075128	7.96
3/4	1-32/64	FSS075132	7.96
1	1-32/64	FSS100132	9.99
1	1-36/64	FSS100136	9.99
1	1-40/64	FSS100140	9.99
1	1-44/64	FSS100144	9.99
1	1-48/64	FSS100148	9.99
1	1-52/64	FSS100152	9.99
1-1/4	1-52/64	FSS125152	10.76
1-1/4	1-56/64	FSS125156	10.76
1-1/4	1-60/64	FSS125160	10.76
1-1/2	1-60/64	FSS150160	15.45
1-1/2	2	FSS150200	15.45
1-1/2	2-4/64	FSS150204	15.45
1-1/2	2-8/64	FSS150208	15.45
1-1/2	2-12/64	FSS150212	15.45
1-1/2	2-16/64	FSS150216	15.45
1-1/2	2-20/64	FSS150220	15.45
1-1/2	2-24/64	FSS150224	15.45
2	2-32/64	FSS200232	18.57
2	2-36/64	FSS200236	18.57
2	2-40/64	FSS200240	18.57
2	2-44/64	FSS200244	18.57
2	2-48/64	FSS200248	18.57
2	2-52/64	FSS200252	18.57
2	2-56/64	FSS200256	18.57
2	2-60/64	FSS200260	18.57
2-1/2	3-8/64	FSS250308	26.69
2-1/2	3-12/64	FSS250312	26.69
2-1/2	3-16/64	FSS250316	26.69
2-1/2	3-20/64	FSS250320	26.69
2-1/2	3-28/64	FSS250328	26.69
3	3-36/64	FSS300336	30.44
3	3-40/64	FSS300340	30.44
3	3-44/64	FSS300344	30.44
3	3-48/64	FSS300348	30.44
3	3-52/64	FSS300352	30.44
3	3-56/64	FSS300356	30.44
3	3-60/64	FSS300360	30.44
3	4	FSS300400	30.44
4	4-36/64	FSS400436	70.70
4	4-40/64	FSS400440	70.70
4	4-44/64	FSS400444	70.70
4	4-48/64	FSS400448	70.70
4	4-52/64	FSS400452	70.70
4	4-56/64	FSS400456	70.70
4	4-60/64	FSS400460	70.70
4	5	FSS400500	70.70
4	5-4/64	FSS400504	70.70

continued on next page

FERRULES
 for use with products shown below only:

WARNING: NOT FOR USE WITH STEAM



Long Crimpology Nipples
 (page 11)

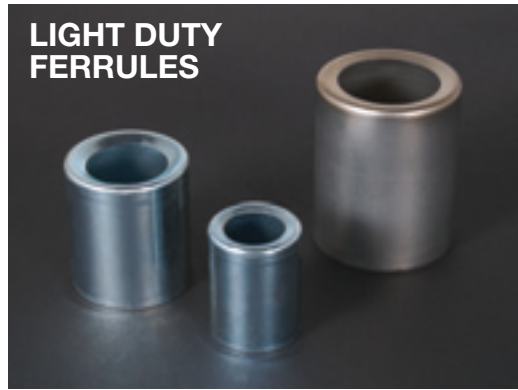


Viton Seal Ground Joints and Male Stems
 (page 19)



Plated Steel

hose size	ferrule i.d.	part number	list each
1/2	1	FPS050100S	7.48
1/2	1-4/64	FPS050104S	7.48
1/2	1-8/64	FPS050108S	7.48
3/4	1-16/64	FPS075116	7.48
3/4	1-20/64	FPS075120	7.48
3/4	1-24/64	FPS075124	7.48
3/4	1-28/64	FPS075128	7.48
3/4	1-32/64	FPS075132	7.48
1	1-32/64	FPS100132	9.86
1	1-36/64	FPS100136	9.86
1	1-40/64	FPS100140	9.86
1	1-44/64	FPS100144	9.86
1	1-48/64	FPS100148	9.86
1	1-52/64	FPS100152	9.86
1-1/4	1-52/64	FPS125152L	13.21
1-1/4	1-56/64	FPS125156L	13.21
1-1/4	1-60/64	FPS125160L	13.21
1-1/2	1-60/64	FPS150160L	15.81
1-1/2	2	FPS150200L	15.81
1-1/2	2-4/64	FPS150204L	15.81
1-1/2	2-8/64	FPS150208L	15.81
1-1/2	2-12/64	FPS150212L	15.81
1-1/2	2-16/64	FPS150216L	15.81
1-1/2	2-20/64	FPS150220L	15.81
1-1/2	2-24/64	FPS150224L	15.81
2	2-32/64	FPS200232L	19.20
2	2-36/64	FPS200236L	19.20
2	2-40/64	FPS200240L	19.20
2	2-44/64	FPS200244L	19.20
2	2-48/64	FPS200248L	19.20
2	2-52/64	FPS200252L	19.20
2	2-56/64	FPS200256L	19.20
2	2-60/64	FPS200260L	19.20
2-1/2	3-8/64	FPS250308L	26.40
2-1/2	3-12/64	FPS250312L	26.40
2-1/2	3-16/64	FPS250316L	26.40
2-1/2	3-20/64	FPS250320L	26.40
2-1/2	3-28/64	FPS250328L	26.40
3	3-36/64	FPS300336L	27.07
3	3-40/64	FPS300340L	27.07
3	3-44/64	FPS300344L	27.07
3	3-48/64	FPS300348L	27.07
3	3-52/64	FPS300352L	27.07
3	3-56/64	FPS300356L	27.07
3	3-60/64	FPS300360L	27.07
3	4	FPS300400L	27.07
4	4-40/64	FPS400440L	36.75
4	4-44/64	FPS400444L	36.75
4	4-48/64	FPS400448L	36.75
4	4-52/64	FPS400452L	36.75
4	4-56/64	FPS400456L	36.75
4	4-60/64	FPS400460L	36.75
4	5	FPS400500L	36.75
4	5-4/64	FPS400504L	36.75



FERRULES (light duty)
 for use with couplings shown below only:



All Campbell Universals
 (page 25)



UniversaLock
 (page 25)



Single-Lock (Bowes)
 (page 26)



Double-Lock (Thor)
 (page 26)



Plated Steel

hose size	ferrule i.d.	part number	list each
1/2	58/64	FLPS050058	1.02
1/2	60/64	FLPS050060	1.02
3/4	1-8/64	FLPS075108	1.30
3/4	1-10/64	FLPS075110	1.30
3/4	1-12/64	FLPS075112	1.30
3/4	1-14/64	FLPS075114	1.30
3/4	1-16/64	FLPS075116	1.30
3/4	1-18/64	FLPS075118	1.30
1	1-28/64	FLPS100128	1.89
1	1-30/64	FLPS100130	1.89
1	1-32/64	FLPS100132	1.89
1	1-34/64	FLPS100134	1.89
1	1-36/64	FLPS100136	1.89

304 Stainless

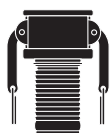
1/2	58/64	FLSS050058	2.17
3/4	1-8/64	FLSS075108	2.51
3/4	1-12/64	FLSS075112	2.51
3/4	1-14/64	FLSS075114	2.51
3/4	1-16/64	FLSS075116	2.51
3/4	1-18/64	FLSS075118	2.51
1	1-28/64	FLSS100128	3.70
1	1-30/64	FLSS100130	3.70
1	1-32/64	FLSS100132	3.70
1	1-34/64	FLSS100134	3.70
1	1-36/64	FLSS100136	3.70



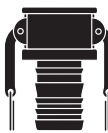
SLEEVES

SLEEVES

for use with products shown below only:



**Campbell
Cobra™
Parts C & E**
(page 15)



**Standard
Cobra™
Parts C & E**
(page 57)

Plated Steel

hose size	sleeve i.d.	part number	list each
3/4	1-8/64	SPS075108	4.36
3/4	1-24/64	SPS075124	4.36
1	1-20/64	SPS100120	4.55
1	1-24/64	SPS100124	4.55
1	1-28/64	SPS100128	4.55
1	1-32/64	SPS100132	4.55
1	1-36/64	SPS100136	4.55
1	1-40/64	SPS100140	4.55
1	1-44/64	SPS100144	4.55
1	1-48/64	SPS100148	4.55
1-1/4	1-56/64	SPS125156	4.55
1-1/4	2	SPS125200	4.55
1-1/2	1-48/64	SPS150148	4.75
1-1/2	1-52/64	SPS150152	4.75
1-1/2	1-56/64	SPS150156	4.75
1-1/2	1-60/64	SPS150160	4.75
1-1/2	2	SPS150200	4.75
1-1/2	2-4/64	SPS150204	4.75
1-1/2	2-8/64	SPS150208	4.75
1-1/2	2-12/64	SPS150212	4.75
1-1/2	2-16/64	SPS150216	4.75
1-1/2	2-20/64	SPS150220	4.75
1-1/2	2-24/64	SPS150224	4.75
2	2-16/64	SPS200216	5.99
2	2-24/64	SPS200224	5.99
2	2-28/64	SPS200228	5.99
2	2-32/64	SPS200232	5.99
2	2-36/64	SPS200236	5.99
2	2-40/64	SPS200240	5.99
2	2-44/64	SPS200244	5.99
2	2-48/64	SPS200248	5.99
2	2-52/64	SPS200252	5.99
2	2-56/64	SPS200256	5.99
2	2-60/64	SPS200260	5.99
2	3	SPS200300	5.99
2	3-2/64	SSS200302	5.99

2-1/2	3	SPS250300	7.67
2-1/2	3-8/64	SPS250308	7.67
2-1/2	3-16/64	SPS250316	7.67
2-1/2	3-24/64	SPS250324	7.67
2-1/2	3-32/64	SPS250332	7.67
2-1/2	3-34/64	SPS250334	7.67
3	3-16/64	SPS300316	10.59
3	3-24/64	SPS300324	10.59
3	3-28/64	SPS300328	10.59
3	3-32/64	SPS300332	10.59
3	3-36/64	SPS300336	10.59
3	3-40/64	SPS300340	10.59
3	3-44/64	SPS300344	10.59
3	3-48/64	SPS300348	10.59
3	3-52/64	SPS300352	10.59
3	3-56/64	SPS300356	10.59
3	4	SPS300400	10.59
3	4-2/64	SPS300402	10.59
4	4-16/64	SPS400416	14.26
4	4-24/64	SPS400424	14.26
4	4-32/64	SPS400432	14.26
4	4-36/64	SPS400436	14.26
4	4-40/64	SPS400440	14.26
4	4-44/64	SPS400444	14.26
4	4-48/64	SPS400448	14.26
4	4-52/64	SPS400452	14.26
4	4-56/64	SPS400456	14.26
4	4-60/64	SPS400460	14.26
4	5	SPS400500	14.26
4	5-2/64	SPS400502	14.26
6	6-16/64	SPS600616	37.39
6	6-24/64	SPS600624	37.39
6	6-32/64	SPS600632	37.39
6	6-40/64	SPS600640	37.39
6	6-48/64	SPS600648	37.39
6	6-56/64	SPS600656	37.39
6	7	SPS600700	37.39
6	7-8/64	SPS600708	37.39
6	7-16/64	SPS600716	37.39
6	7-24/64	SPS600724	37.39
8	8-32/64	SPS800832	87.02
8	8-48/64	SPS800848	87.02
8	9	SPS800900	87.02
8	9-16/64	SPS800916	87.02
8	9-32/64	SPS800932	87.02

304 Stainless

3/4	1-8/64	SSS075108	6.55
3/4	1-16/64	SSS075116	6.55
3/4	1-24/64	SSS075124	6.55
1	1-16/64	SSS100116	6.87
1	1-20/64	SSS100120	6.87
1	1-24/64	SSS100124	6.87
1	1-28/64	SSS100128	6.87
1	1-32/64	SSS100132	6.87
1	1-36/64	SSS100136	6.87
1	1-40/64	SSS100140	6.87
1	1-44/64	SSS100144	6.87
1	1-48/64	SSS100148	6.87
1-1/4	1-56/64	SSS125156	7.96
1-1/4	2	SSS125200	7.96

continued on next page

304 Stainless Sleeves

(continued from previous page)

1-1/2	1-52/64	SSS150152	8.27	3	3-32/64	SAL300332	18.90
1-1/2	1-56/64	SSS150156	8.27	3	3-36/64	SAL300336	18.90
1-1/2	1-60/64	SSS150160	8.27	3	3-40/64	SAL300340	18.90
1-1/2	2	SSS150200	8.27	3	3-44/64	SAL300344	18.90
1-1/2	2-4/64	SSS150204	8.27	3	3-48/64	SAL300348	18.90
1-1/2	2-8/64	SSS150208	8.27	3	3-52/64	SAL300352	18.90
1-1/2	2-12/64	SSS150212	8.27	3	3-56/64	SAL300356	18.90
1-1/2	2-16/64	SSS150216	8.27	3	3-60/64	SAL300360	18.90
1-1/2	2-20/64	SSS150220	8.27	3	4	SAL300400	18.90
1-1/2	2-24/64	SSS150224	8.27	3	4-4/64	SAL300404	18.90
2	2-16/64	SSS200216	12.33	4	4-36/64	SAL400436	25.31
2	2-24/64	SSS200224	12.33	4	4-40/64	SAL400440	25.31
2	2-28/64	SSS200228	12.33	4	4-44/64	SAL400444	25.31
2	2-32/64	SSS200232	12.33	4	4-48/64	SAL400448	25.31
2	2-36/64	SSS200236	12.33	4	4-52/64	SAL400452	25.31
2	2-40/64	SSS200240	12.33	4	4-56/64	SAL400456	25.31
2	2-44/64	SSS200244	12.33	4	4-60/64	SAL400460	25.31
2	2-48/64	SSS200248	12.33	4	5	SAL400500	25.31
2	2-52/64	SSS200252	12.33	4	5-4/64	SAL400504	25.31
2	2-56/64	SSS200256	12.33	4	5-8/64	SAL400508	25.31
2	2-60/64	SSS200260	12.33	6	6-32/64	SAL600632	74.77
2	3	SSS200300	12.33	6	6-40/64	SAL600640	74.77
2	3-2/64	SSS200302	12.33	6	6-48/64	SAL600648	74.77
2-1/2	3	SSS250300	16.08	6	6-56/64	SAL600656	74.77
2-1/2	3-8/64	SSS250308	16.08				
2-1/2	3-16/64	SSS250316	16.08				
2-1/2	3-24/64	SSS250324	16.08				
2-1/2	3-32/64	SSS250332	16.08				
2-1/2	3-34/64	SSS250334	16.08				
3	3-24/64	SSS300324	17.94				
3	3-28/64	SSS300328	17.94				
3	3-32/64	SSS300332	17.94				
3	3-36/64	SSS300336	17.94				
3	3-40/64	SSS300340	17.94				
3	3-44/64	SSS300344	17.94				
3	3-48/64	SSS300348	17.94				
3	3-52/64	SSS300352	17.94				
3	3-56/64	SSS300356	17.94				
3	3-60/64	SSS300360	17.94				
3	4	SSS300400	17.94				
3	4-2/64	SSS300402	17.94				
4	4-32/64	SSS400432	29.81				
4	4-36/64	SSS400436	29.81				
4	4-40/64	SSS400440	29.81				
4	4-44/64	SSS400444	29.81				
4	4-48/64	SSS400448	29.81				
4	4-52/64	SSS400452	29.81				
4	4-56/64	SSS400456	29.81				
4	4-60/64	SSS400460	29.81				
4	5	SSS400500	29.81				
4	5-2/64	SSS400502	29.81				
Aluminum							
2	2-28/64	SAL200228	12.50				
2	2-32/64	SAL200232	12.50				
2	2-36/64	SAL200236	12.50				
2	2-40/64	SAL200240	12.50				
2	2-44/64	SAL200244	12.50				
2	2-48/64	SAL200248	12.50				
2	2-52/64	SAL200252	12.50				
2	2-56/64	SAL200256	12.50				
2	2-60/64	SAL200260	12.50				
2	3	SAL200300	12.50				

SLEEVES

for use with products shown below only:



Combination Nipples (page 5)



Suction Hose Couplings (page 7)



Plated Steel

hose size	sleeve i.d.	part number	list each
1/2	1	SPS050100S	4.29
3/4	1-8/64	SPS075108S	4.45
3/4	1-20/64	SPS075120S	4.45
3/4	1-24/64	SPS075124S	4.45
1	1-28/64	SPS100128S	4.45
1	1-32/64	SPS100132S	4.61
1	1-36/64	SPS100136S	4.61
1	1-40/64	SPS100140S	4.61
1	1-44/64	SPS100144S	4.61
1	1-48/64	SPS100148S	4.61
1-1/4	1-40/64	SPS125140S	4.78
1-1/4	1-48/64	SPS125148S	4.78
1-1/4	1-52/64	SPS125152S	4.78
1-1/4	1-56/64	SPS125156S	4.78
1-1/2	1-60/64	SPS150160S	4.94
1-1/2	2	SPS150200S	4.94
1-1/2	2-4/64	SPS150204S	4.94
1-1/2	2-8/64	SPS150208S	4.94
1-1/2	2-12/64	SPS150212S	4.94
1-1/2	2-16/64	SPS150216S	4.94
1-1/2	2-20/64	SPS150220S	4.94
1-1/2	2-24/64	SPS150224S	4.94



2	2-8/64	SPS200208S	5.99
2	2-16/64	SPS200216S	5.99
2	2-24/64	SPS200224S	5.99
2	2-28/64	SPS200228S	5.99
2	2-32/64	SPS200232S	5.99
2	2-36/64	SPS200236S	5.99
2	2-40/64	SPS200240S	5.99
2	2-44/64	SPS200244S	5.99
2	2-48/64	SPS200248S	5.99
2	2-52/64	SPS200252S	5.99
2	2-56/64	SPS200256S	5.99
2	2-60/64	SPS200260S	5.99
2	3	SPS200300S	5.99
2-1/2	2-48/64	SPS250248S	7.79
2-1/2	2-56/64	SPS250256S	7.79
2-1/2	3	SPS250300S	7.79
2-1/2	3-8/64	SPS250308S	7.79
2-1/2	3-16/64	SPS250316S	7.79
2-1/2	3-24/64	SPS250324S	7.79
2-1/2	3-32/64	SPS250332S	7.79
3	3-8/64	SPS300308S	10.59
3	3-16/64	SPS300316S	10.59
3	3-24/64	SPS300324S	10.59
3	3-28/64	SPS300328S	10.59
3	3-32/64	SPS300332S	10.59
3	3-36/64	SPS300336S	10.59
3	3-40/64	SPS300340S	10.59
3	3-44/64	SPS300344S	10.59
3	3-48/64	SPS300348S	10.59
3	3-52/64	SPS300352S	10.59
3	3-56/64	SPS300356S	10.59
3	3-60/64	SPS300360S	10.59
3	4	SPS300400S	10.59
4	4-16/64	SPS400416S	14.26
4	4-24/64	SPS400424S	14.26
4	4-32/64	SPS400432S	14.26
4	4-36/64	SPS400436S	14.26
4	4-40/64	SPS400440S	14.26
4	4-44/64	SPS400444S	14.26
4	4-48/64	SPS400448S	14.26
4	4-52/64	SPS400452S	14.26
4	4-56/64	SPS400456S	14.26
4	4-60/64	SPS400460S	14.26
4	5	SPS400500S	14.26
6	6-16/64	SPS600616	37.39
6	6-24/64	SPS600624	37.39
6	6-32/64	SPS600632	37.39
6	6-40/64	SPS600640	37.39
6	6-48/64	SPS600648	37.39
6	6-56/64	SPS600656	37.39
6	7	SPS600700	37.39
6	7-8/64	SPS600708	37.39
6	7-16/64	SPS600716	37.39
6	7-24/64	SPS600724	37.39
8	8-32/64	SPS800832	82.88
8	8-48/64	SPS800848	82.88
8	9	SPS800900	82.88
8	9-16/64	SPS800916	82.88
8	9-32/64	SPS800932	82.88

304 Stainless

1/2	1	SSS050100S	6.40
3/4	1-8/64	SSS075108S	6.72
3/4	1-16/64	SSS075116S	6.72
3/4	1-20/64	SSS075120S	6.72
3/4	1-24/64	SSS075124S	6.72
1	1-28/64	SSS100128S	6.72
1	1-32/64	SSS100132S	7.02
1	1-36/64	SSS100136S	7.02
1	1-40/64	SSS100140S	7.02
1	1-44/64	SSS100144S	7.02
1	1-48/64	SSS100148S	7.02
1-1/4	1-40/64	SSS125140S	8.12
1-1/4	1-48/64	SSS125148S	8.12
1-1/4	1-52/64	SSS125152S	8.12
1-1/4	1-56/64	SSS125156S	8.12
1-1/2	1-60/64	SSS150150S	8.58
1-1/2	2	SSS150200S	8.58
1-1/2	2-4/64	SSS150204S	8.58
1-1/2	2-8/64	SSS150208S	8.58
1-1/2	2-12/64	SSS150212S	8.58
1-1/2	2-16/64	SSS150216S	8.58
1-1/2	2-20/64	SSS150220S	8.58
1-1/2	2-24/64	SSS150224S	8.58
2	2-8/64	SSS200208S	12.33
2	2-16/64	SSS200216S	12.33
2	2-24/64	SSS200224S	12.33
2	2-28/64	SSS200228S	12.33
2	2-32/64	SSS200232S	12.33
2	2-36/64	SSS200236S	12.33
2	2-40/64	SSS200240S	12.33
2	2-44/64	SSS200244S	12.33
2	2-48/64	SSS200248S	12.33
2	2-52/64	SSS200252S	12.33
2	2-56/64	SSS200256S	12.33
2	2-60/64	SSS200260S	12.33
2	3	SSS200300S	16.08
2-1/2	3-8/64	SSS250308S	16.08
2-1/2	3-16/64	SSS250316S	16.08
2-1/2	3-24/64	SSS250324S	16.08
2-1/2	3-32/64	SSS250332S	16.08
3	3-8/64	SSS300308S	17.94
3	3-16/64	SSS300316S	17.94
3	3-24/64	SSS300324S	17.94
3	3-28/64	SSS300328S	17.94
3	3-32/64	SSS300332S	17.94
3	3-36/64	SSS300336S	17.94
3	3-40/64	SSS300340S	17.94
3	3-44/64	SSS300344S	17.94
3	3-48/64	SSS300348S	17.94
3	3-52/64	SSS300352S	17.94
3	3-56/64	SSS300356S	17.94
3	3-60/64	SSS300360S	17.94
3	4	SSS300400S	29.81
4	4-16/64	SSS400416S	29.81
4	4-24/64	SSS400424S	29.81
4	4-32/64	SSS400432S	29.81
4	4-36/64	SSS400436S	29.81
4	4-40/64	SSS400440S	29.81
4	4-44/64	SSS400444S	29.81
4	4-48/64	SSS400448S	29.81
4	4-52/64	SSS400452S	29.81
4	4-56/64	SSS400456S	29.81
4	4-60/64	SSS400460S	29.81
4	5	SSS400500S	29.81

Glossary of CampbellCrimpnology™ Terms

Crimp chart: a chart designed to assist in determining the crimp spec, which includes allowances for serration style, fitting and ferrule/sleeve O.D. and design.

Crimp spec (or specification): the outside diameter of the ferrule/sleeve after assembling and crimping.

Cut-slots: notches cut into the turned-in end of a ferrule that allows the interlock portion to crimp straight down into the fitting interlock without opening outward during crimping.

Ferrule: a tube-like product with one end turned in so as to affect an interlock into a groove on a mating fitting or coupling.

Ferrule length: the overall length of the ferrule as measured from the turn-in end to the open end.

Ferrule/Sleeve I.D.: the inside bowl diameter of the ferrule; the inside diameter of the sleeve; the inside diameter of either where the hose is placed

Gauge: the thickness of the ferrule/sleeve material.

Interlock groove: a groove designed into the fitting/coupling to accept the turn-in end of the ferrule.

Shank length: the hose barb area measured from the end of the fitting to the interlock groove.

Sleeve: a tube-like product with no interlock provisions.

Sleeve length: the overall length of the sleeve from end to end.

Turn-in: the interlocking end of the ferrule.